



elektrosistem



PRS COMPACT FOOT PEDAL

PRS foot pedals have been designed to solve those problems related to the small dimensions of the space where the foot pedal can be located.

Assembling is extremely simple thanks to electric connection through connector. The foot pedal is supplied complete with a 10 cm wiring with connector already fitted.

The external structure of galvanized iron guarantees high efficiency and long life, even when used in environments with a high degree of humidity.

The precision assembly carried out on ground shaft guarantees a very low mechanical wear and the absence of clearances.

The running consent is given by a cam controlled micro switch and speed regulation is carried out by a 5Kohm potentiometer. According to the controller to be used with, the foot pedal is also available without running micro switch.

The foot pedal can be supplied with right or left side pedal and must be used with a running direction selector fitted on the panel or on the steering wheel.

PRS production range

PRS 1M SX

Compact foot pedal with running micro switch and left side pedal.

PRS 1M DX

Compact foot pedal with running micro switch and right side pedal.

PRS 1 SX

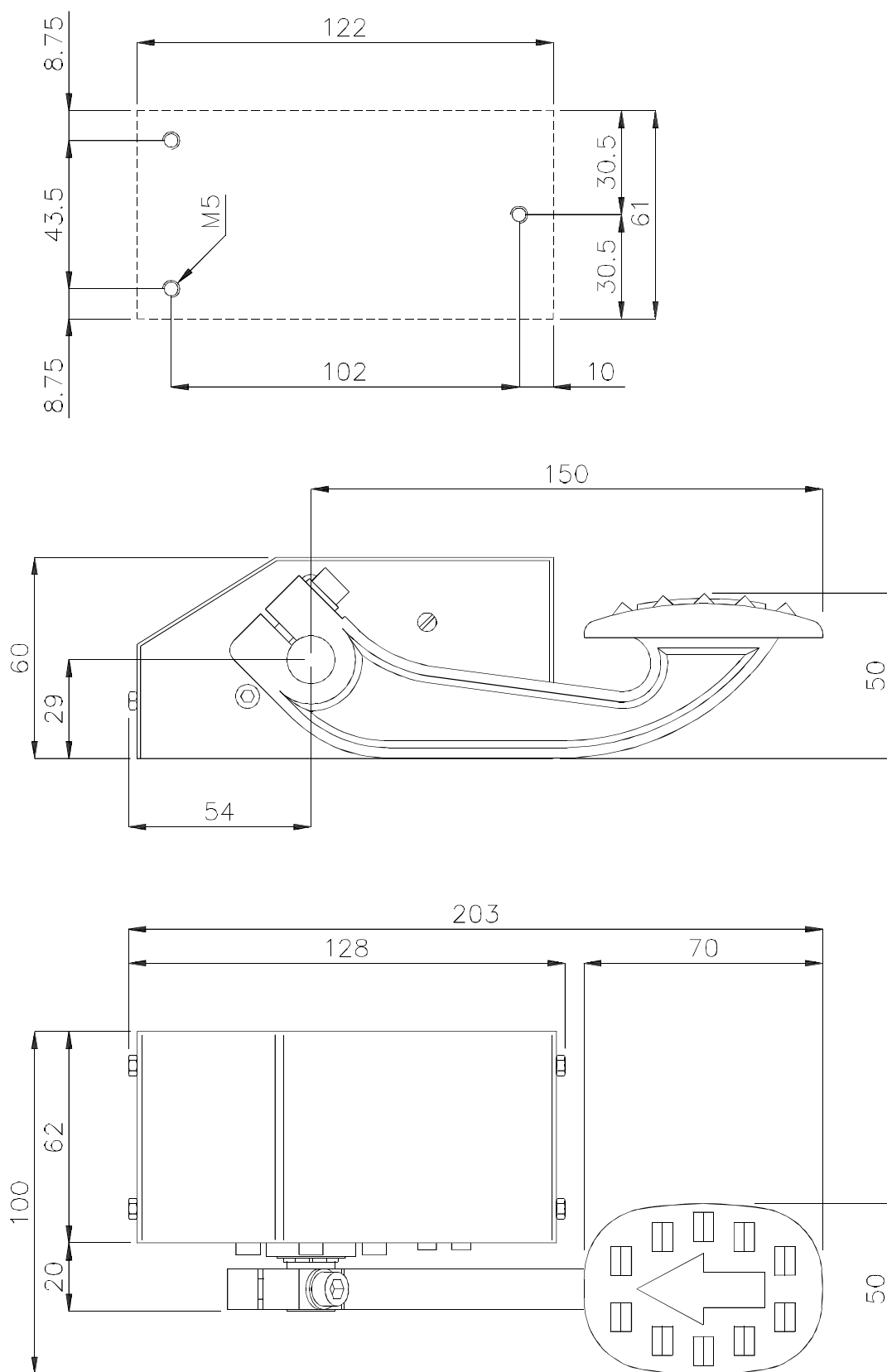
Compact foot pedal with left side pedal and without running micro switch.

PRS 1 DX

Compact foot pedal with right side pedal and without running micro switch.



DIMENSIONS AND FIXING HOLES



For right side pedal consider pedal dimensions on the opposite side of the box.
N.B. All dimensions are in mm.